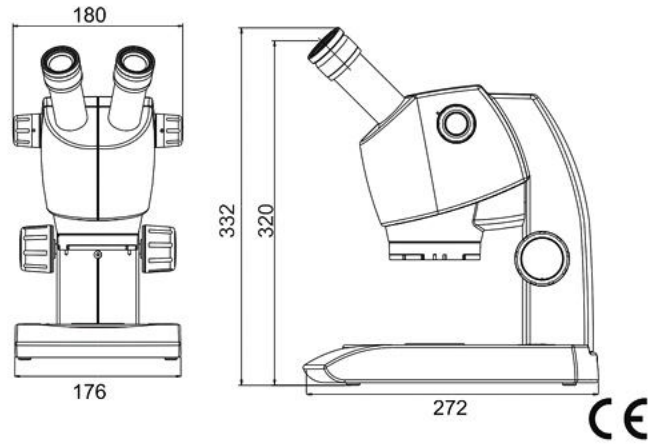


## Labomed Stereo Zoom Microscope LUXEU 2S (Abron Cat AB-38-B2S)



Dimensions (Units: mm)



<b>Optical System</b>	Greenough
<b>Magnification</b>	1x/3x; 2x/4x
<b>Eyepieces</b>	Widefield 10x/18mm (Interchangeable)
<b>Diopter Correction</b>	+ / - 5 diopters
<b>Viewing Body</b>	Integrated Binocular, 45°, 52-74mm dioptic adjustment
<b>Working Distance</b>	100mm
<b>Magnification Range</b>	10x-30x; 20x-40x
<b>Object Field Diameter</b>	18 to 6.0mm; 9 to 4.5mm
<b>Eye Guards</b>	Rubber, Retractable
<b>Illumination Control</b>	Incident / Transmitted ("Oblique" Settings) / Combined illumination control buttons with rheostat dial for light intensity control
<b>Incident Light</b>	+ / - 30° Oblique illumination and variable intensity control dial
<b>Incident Light Method</b>	Maximum intensity (10 LEDs), front angled incident light (5 LEDs), rear angled incident light 5 (LEDs)
<b>Transmitted Light</b>	3 LEDs super bright glow screen, low heat emission
<b>LED Service Life</b>	Approx 25,000 hours
<b>Light Quality</b>	Homogeneous daylight (6500°K), free of UV and IR emissions
<b>Power Supply</b>	Universal 100V - 240V, 50/60Hz integrated power supply with voltage flux stablizer

### Package Contents

- Power Cable (6ft)
- Nylon Dust Cover & Cleaning Cloth
- Styrofoam Casing

### Accessories (Optional)

- Pointers & Micrometer Reticules
- Magnification Augmenting Eyepieces
- Polarizing Kit
- 1.5x Auxiliary Objective