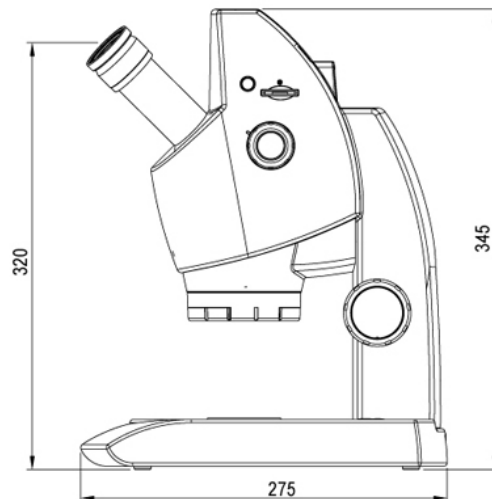


Labomed Stereo Zoom Microscope Digital LUXEU 4D (Abron AB-38-B4d)



| | |
|------------------------------|---|
| Optical System | Greenough |
| Magnification | 4.4:1 Zoom Ratio |
| Eyepieces | Widefield 10x/18mm (Interchangeable) |
| Diopter Correction | + / - 5 diopters |
| Viewing Body | Integrated Binocular, 45°, 52-74mm dioptic adjustment |
| Working Distance | 100 mm |
| Magnification Range | 8x to 35x Continuous |
| Object Field Diameter | 6.6 to 28.5 mm |
| Eye Guards | Rubber, Retractable |
| Illumination Control | Incident / Transmitted ("Oblique" Settings) / Combined illumination control buttons with rheostat dial for light intensity control |
| Incident Light | + / - 30° Oblique illumination and variable intensity control dial |
| Incident Light Method | Maximum intensity (10 LEDs), front angled incident light (5 LEDs), rear angled incident light 5 (LEDs) |
| Transmitted Light | 3 LEDs super bright glow screen, low heat emission |
| LED Specifications | Approx 25,000 hours, Homogenous daylight (6500°K), free of UV and IR emissions |
| Digital Interface | 5.0 Megapixel CMOS camera (1/2.5" sensor) with digital (USB 2.0), video (HDMI), and secure digital (SD) card interface with on-board capture/record button. |
| Power Supply | Universal 100V - 240V, 50/60Hz integrated power supply with voltage flux stablizer |

| Package Contents | Accessories (Optional) |
|---|---|
| <ul style="list-style-type: none"> • Power Cable (6ft) • Nylon Dust Cover & Cleaning Cloth • PixelPro Image Capture Software (Windows XP/Vista/7 Compatible) • USB 2.0 Cable (2ft) HDMI Cable (6ft) • Styrofoam Casing | <ul style="list-style-type: none"> • Pointers & Micrometer Reticules • Magnification Augmenting Eyepieces • Polarizing Kit • 1.5x Auxiliary Objective |